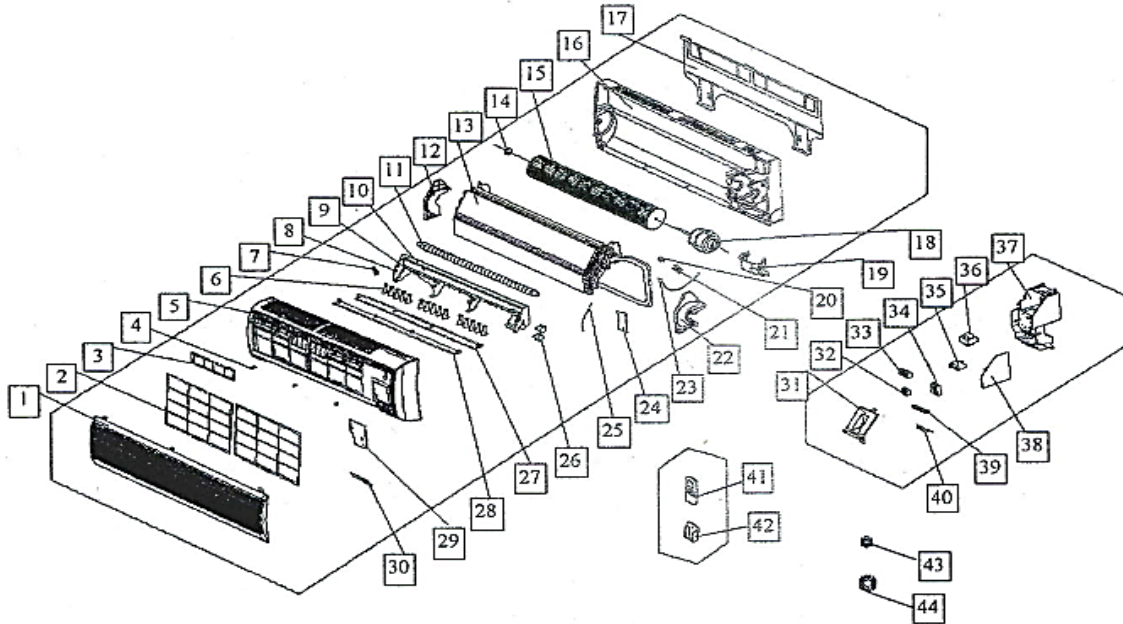


Exploded View Parts for Model: MCA24 220-240V, 60Hz

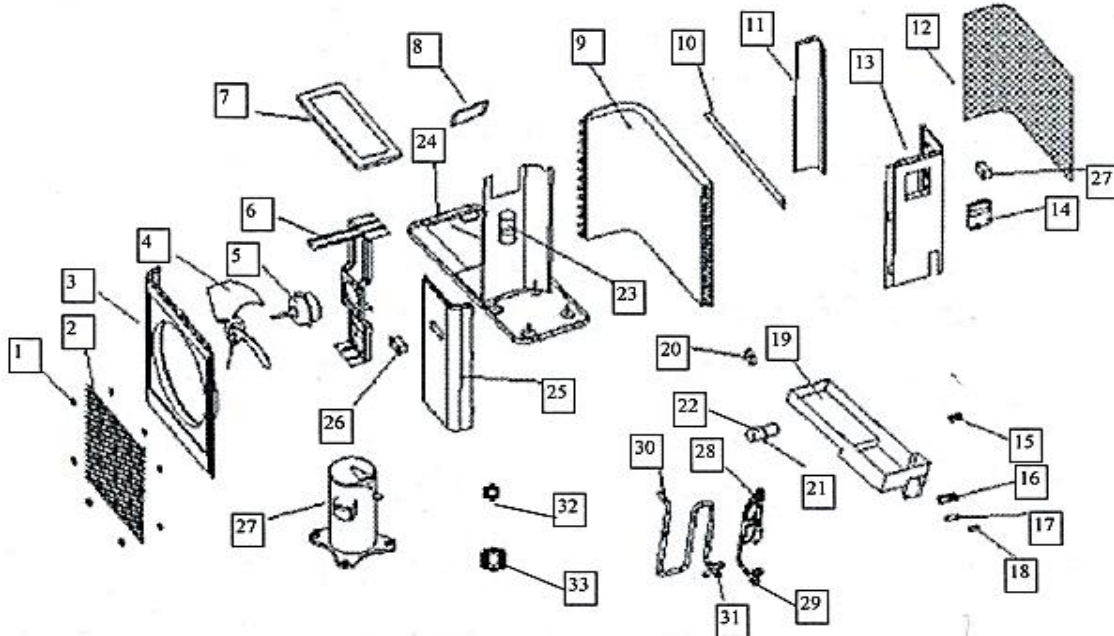
Indoor Unit



No.	Part Name	No.	Part Name
1	Front Panel	22	Right Holder for Evaporator
2	Air Filter	23	Indoor Temp Sensor
3	Air Cleaner	24	Connecting Pipe Clamp
4	Screw Cap	25	Evaporator Temp Sensor
5	Panel Frame	26	Louver Motor
6	Horizontal Airflow Grille Grille Holder	27	Vertical Airflow Louver, Down
7		28	Vertical Airflow Louver, Up
8	Big Bush	29	Window Cover for Repairing
9	Small Bush	30	Control Ass'y
10	Air Out Frame	31	E-Part Box Cover
11	Drain Hose	34	Terminal Block
12	Left Holder for Evaporator	35	Fan Motor Capacitor
13	Evaporator I	36	Transformer
	Evaporator II	37	E-Parts Box
	Evaporator III	38	Main Control Board
14	Bearing Holder	39	Wire Clamp for Power Cord
15	Cross Flow Fan, Ass'y	40	Display Board
16	Chassis		Display Board Enclosure
17	Installation Plate	41	Remote Controller
18	Fan Motor	42	Holder for Remote Controller
19	Fixing Part for Motor	43	Copper Nut, TLM-B02
20	Protector for Temp Sensor	44	Copper Nut, TLM-D04
21	Clamp for Temp Sensor		

Exploded View Parts for Model: MCA24 220-240V, 60Hz

Outdoor Unit



No.	Part Name	No.	Part Name
1	Clamp for Front Net	25	Front Right Clapboard
2	Front Net	26	Handle
3	Front Clapboard	27	Compressor
4	Propeller Fan	28	Liquid Valve Ass'y
5	Fan Motor	29	Liquid Pipe Valve
6	Holder for Fan Motor	30	Gas Valve Ass'y
7	Cover	31	Gas Pipe Valve
8	Little Handle	32	Copper Nut, TLM-B02
9	Condenser	33	Copper Nut, TLM-D04
10	Support Board for Motor Holder		
11	Left Clapboard		
12	Rear Net		
13	Rear Right Clapboard		
14	Big Handle		
15	Wire Joint for Multiplexer		
16	Wire Joint		
17	Washer for Wire Joint		
18	Clamp for Wiring		
19	Installation Board for E-Parts		
20	Fan Motor Capacitor		
21	Compressor Capacitor		
22	Capacitor Clamp		
23	Separating Board		
24	Chassis		