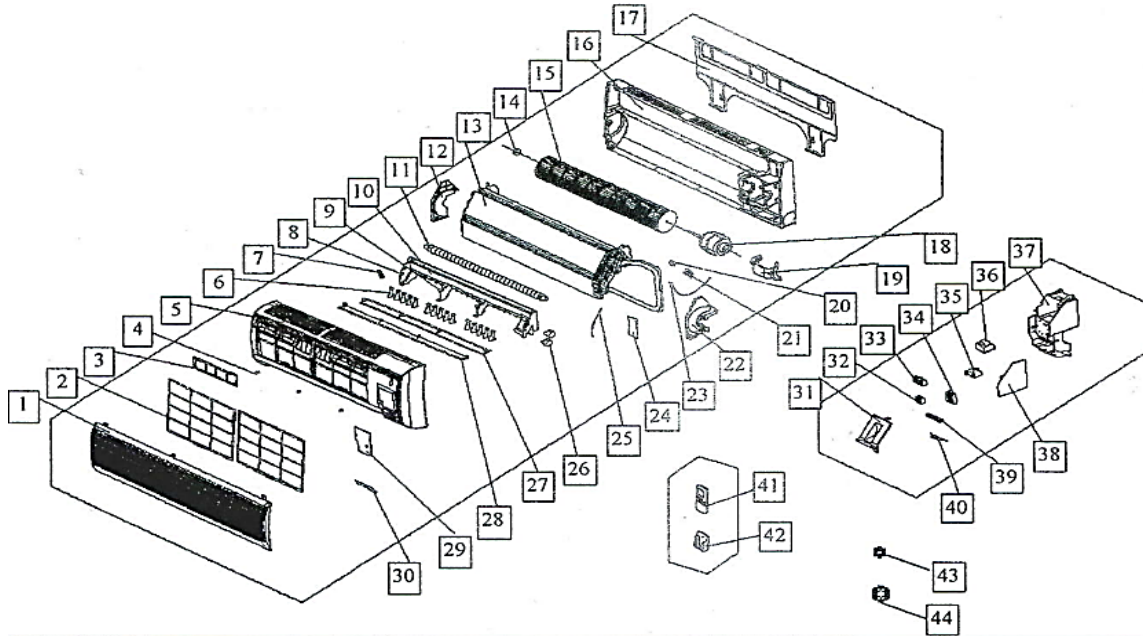


## Exploded View Parts for Model: MCA18 220-240V, 60Hz

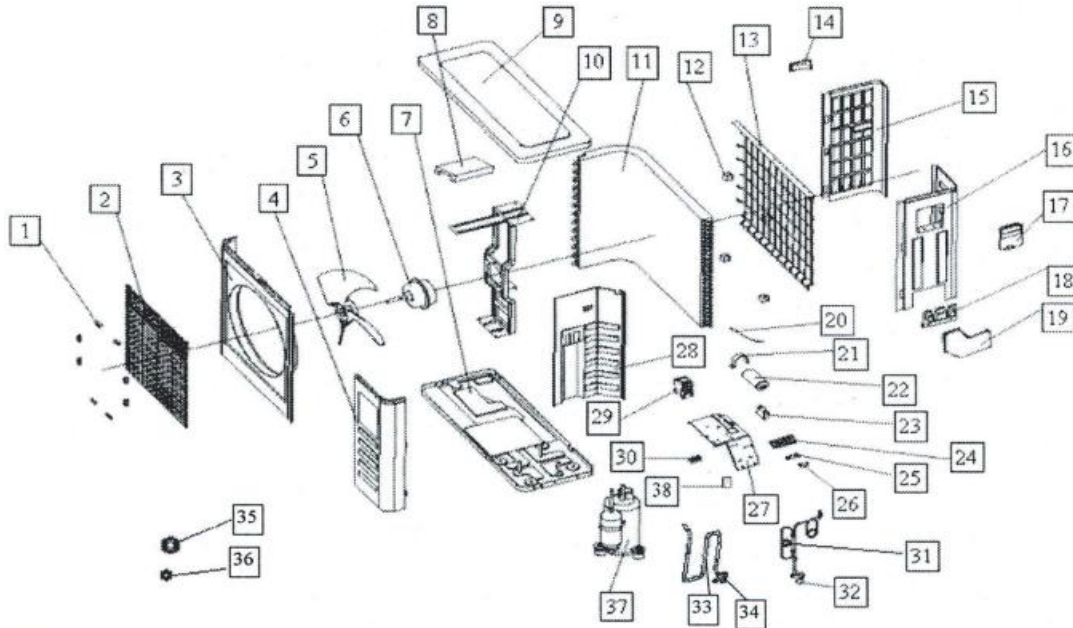
### Indoor Unit



No.	Part Name	No.	Part Name
1	Front Panel	22	Right Holder for Evaporator
2	Air Filter	23	Indoor Temp Sensor
3	Air Cleaner	24	Connecting Pipe Clamp
4	Screw Cap	25	Evaporator Temp Sensor
5	Panel Frame	26	Louver Motor
6	Horizontal Airflow Grille Grille Holder	27	Vertical Airflow Louver, Down
7		28	Vertical Airflow Louver, Up
8	Big Bush	29	Window Cover for Repairing
9	Small Bush	30	Control Ass'y
10	Air Out Frame	31	E-Part Box Cover
11	Drain Hose	34	Terminal Block
12	Left Holder for Evaporator	35	Fan Motor Capacitor
13	Evaporator I	36	Transformer
	Evaporator II	37	E-Parts Box
	Evaporator III	38	Main Control Board
14	Bearing Holder	39	Wire Clamp for Power Cord
15	Cross Flow Fan, Ass'y	40	Display Board
16	Chassis		Display Board Enclosure
17	Installation Plate	41	Remote Controller
18	Fan Motor	42	Holder for Remote Controller
19	Fixing Part for Motor	43	Copper Nut, TLM-B02
20	Protector for Temp Sensor	44	Copper Nut, TLM-D04
21	Clamp for Temp Sensor		

## Exploded View Parts for Model: MCA18 220-240V, 60Hz

### Outdoor Unit



No.	Part Name	No.	Part Name
1	Clamp for Front Net	25	Washer for Wire Joint
2	Front Net	26	Clamp for Wiring
3	Front Clapboard	27	E-Parts Installation Box
4	Front Right Clapboard	28	Separating Board
5	Propeller Fan	29	Contactora
6	Fan Motor	30	Wire Joint for Multiplexer
7	Chassis	31	High Pressure Valves Ass'y
8	Foam over Holder for Motor	32	Liquid Pipe Valve
9	Cover	33	Low Pressure Valve Ass'y
10	Holder for Fan Motor	34	Gas Pipe Valve
11	Condenser	35	Copper Nut, TLM-A01
13	Rear Net	36	Copper Nut, TLM-C03
14	Small Handle	37	Compressor
15	Left Clapboard	38	Outdoor Main Control Board
16	Rear Right Clapboard		
17	Big Handle		
18	Installation Plate for Valves		
19	Water Collector		
21	Capacitor Clamp		
22	Compressor Capacitor		
23	Fan Motor Capacitor		
24	Wire Joint		